



Luoyang JCB Bearing Technology Company Limited

32-50 4500_2-07590

SLEWING BEARING

THREE ROW ROLLER SLEWING BEARING





Luoyang JCB Bearing Technology Company Limited

CONTENTS

01.

MAIN SPECIFICATION

02.

TECHNICAL INFORMATION

03.

MANUFACTURE & INSPECTION

04.

PACKING AND STORAGE

05.

WARRANTY & CERTIFICATE



Luoyang JCB Bearing Technology Company Limited

32-50 4500_2-07590

01

MAIN SPECIFICATION

- [REFERENCE DRAWING](#)
- [SPECIFICATION](#)
- [RAW MATERIAL](#)
- [LUBRICATIONA](#)
- [BOLT HOLES TYPE & BOLTS](#)
- [CORROSION PROTECTION](#)

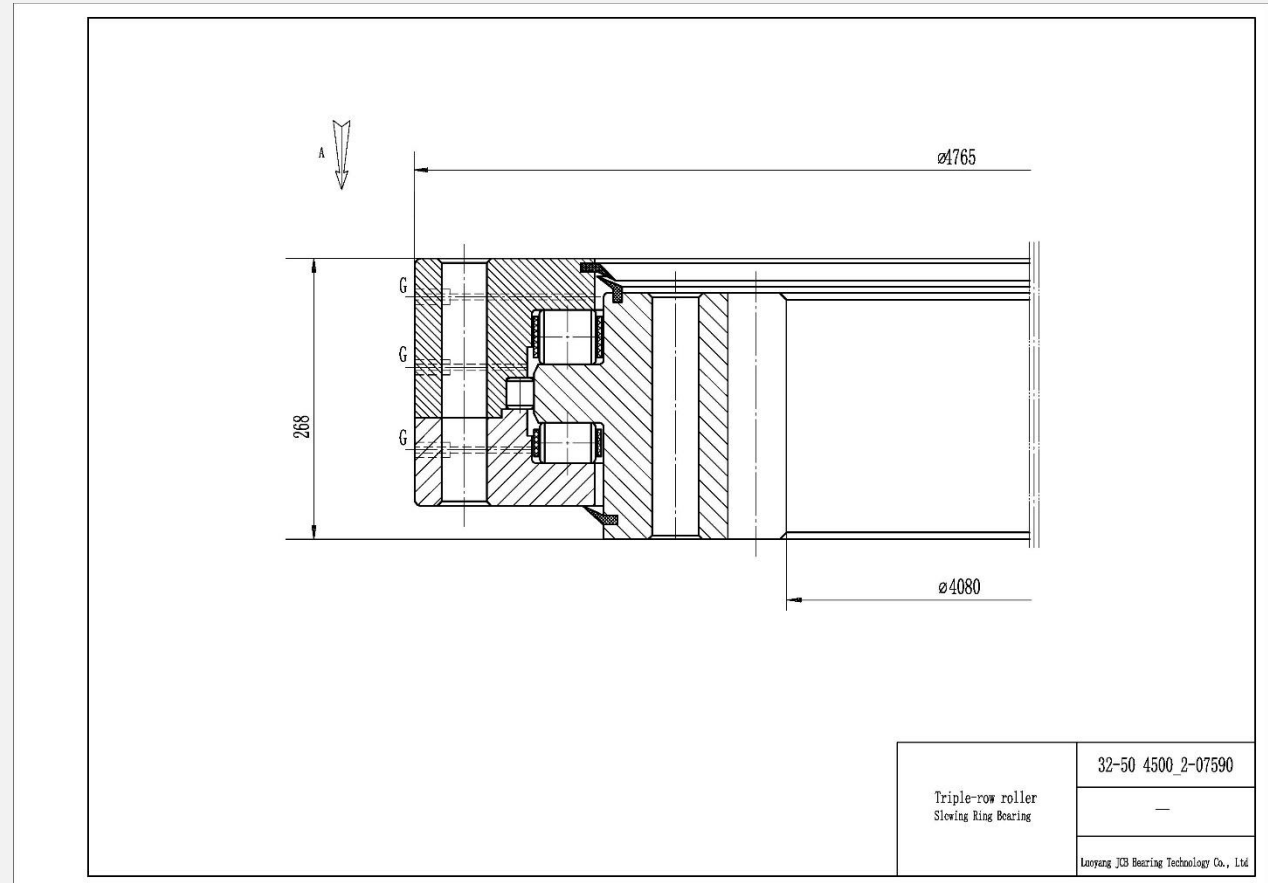


Luoyang JCB Bearing Technology Company Limited

32-50 4500_2-07590

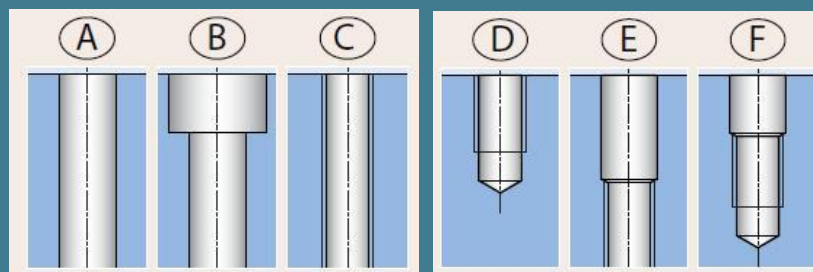
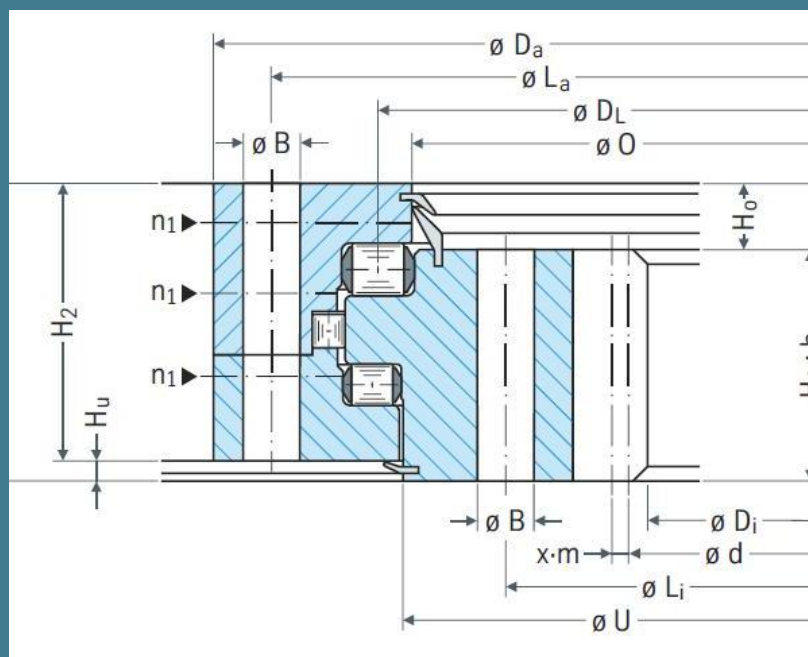
REFERENCE DRAWING

This drawing is reference for user, if user request for formal drawing , please contact with us: sales@jcb-bearing.com, the official drawing will be submitted to them.



SPECIFICATION

32-50 4500_2-07590

Inner diameter (D_i) :4080Outer diameter (D_a) :4765Overall height (H) :268Outer ring height (H_2):258Inner ring height (H_1):203

Weight: 7427 KG

External bolt circle dia (L_a) : 4675Number of bolt holes per hole circle (n_a) :68

External bolt hole type : Selected by user

External bolt hole diameter(B) :45Internal bolt circle dia(L_i): 4300Number of bolt holes per hole circle(n_i): 68

Internal bolt hole type : Selected by user

Internal bolt hole diameter (B) :45Tooth number(z) :171Module of gear(m) :24Tooth width (b) : 203